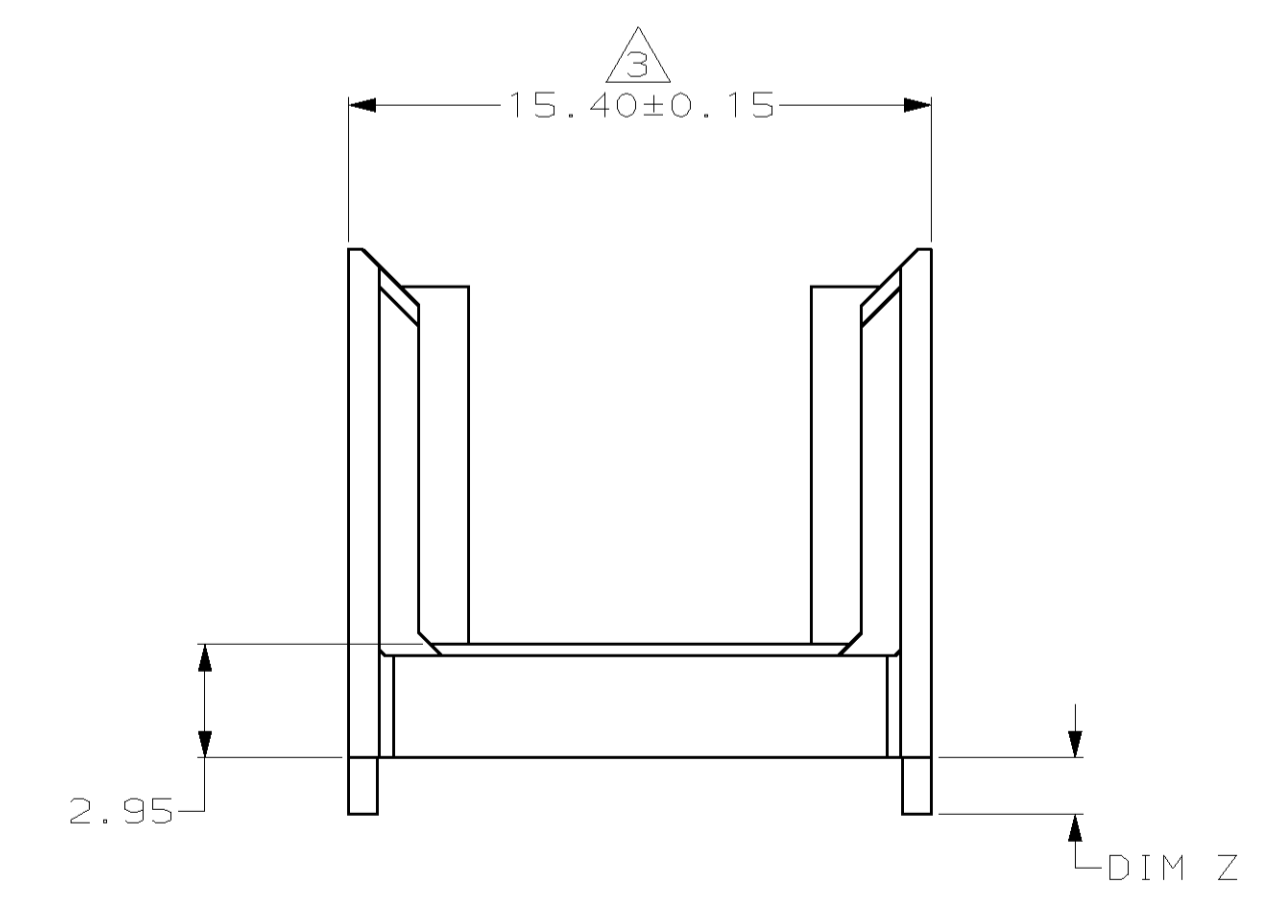
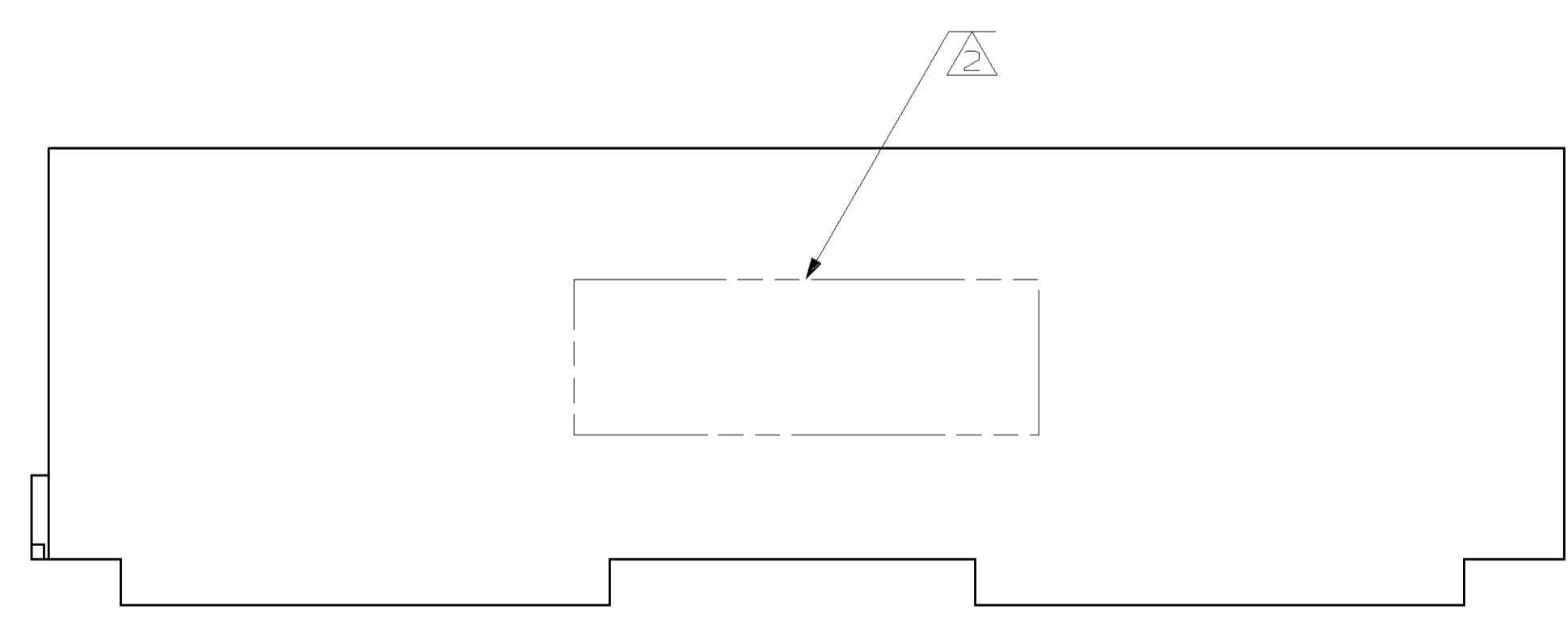
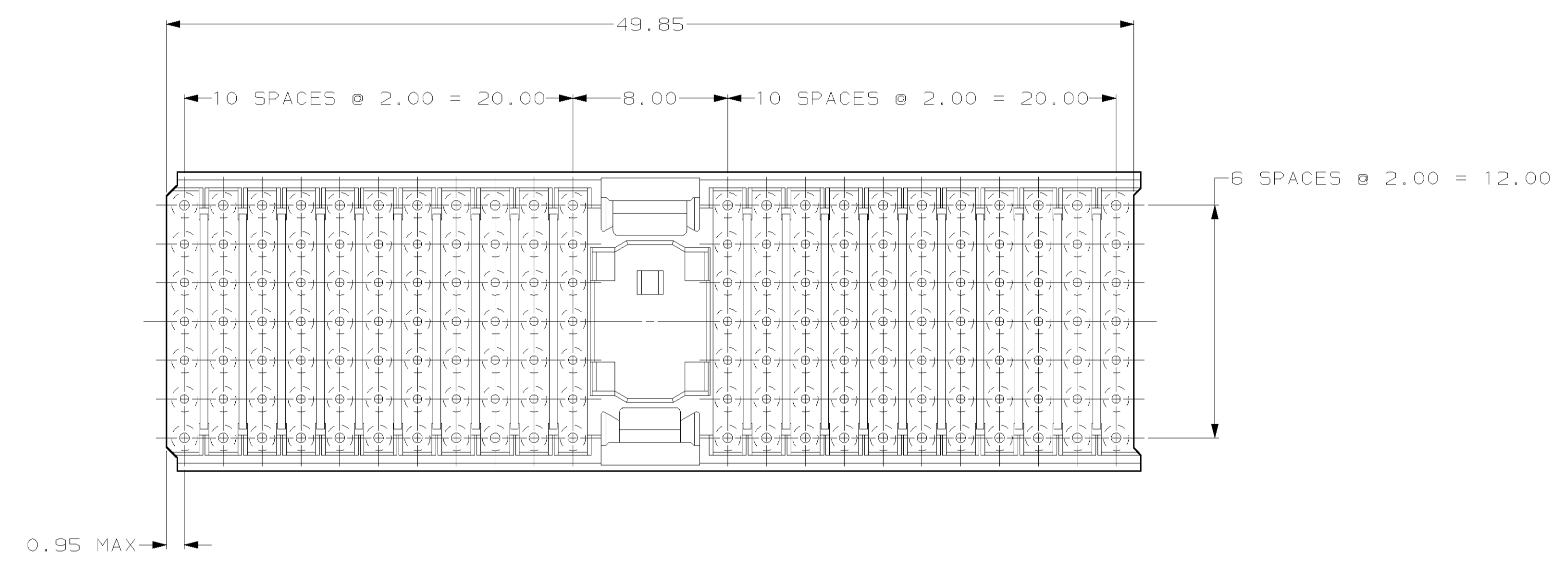
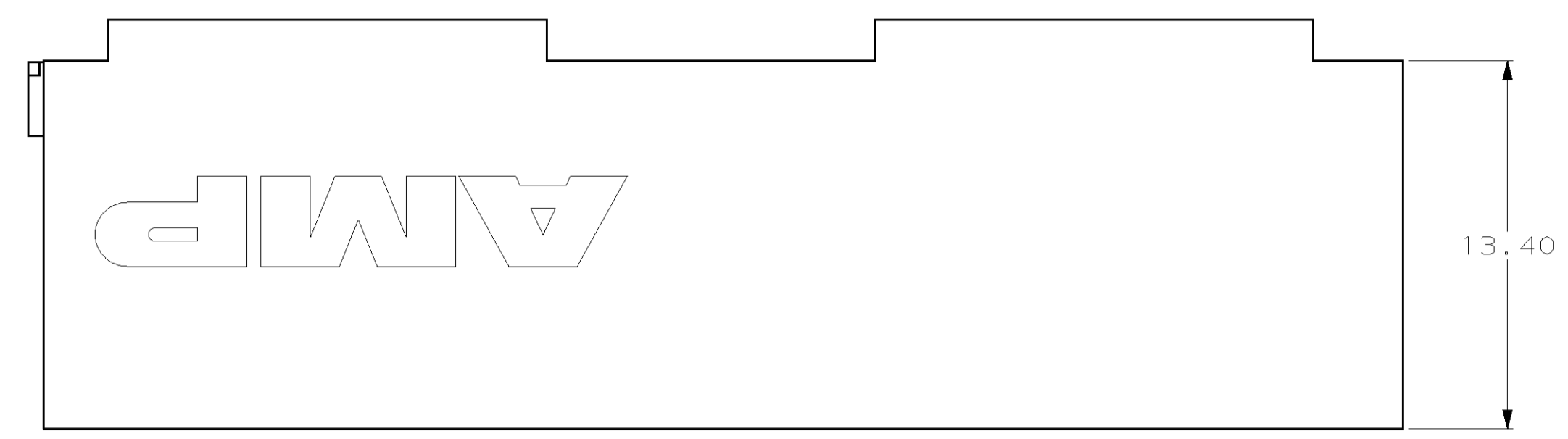


LOC	DIST	REVISIONS			
F	CHR	DESCRIPTION	DATE	ENR	APVD
B		REVISE PER ECN 0U1B-0389-00	22JAN01	SU	RP
C		REV PER EC 0U1B-0192-01	27 JUN 01	BC	RP

- ① MATERIAL: GLASS FILLED POLYESTER.
- ② PART NUMBER MARKED IN APPROXIMATE AREA SHOWN.
- ③ TO BE MEASURED AT BASE OF SHROUD.



1.90	646478-7
1.70	646478-6
1.50	646478-5
1.30	646478-4
1.10	646478-3
0.90	646478-2
-----	646478-1
DIM Z	PART NUMBER

THIS DRAWING IS A CONTROLLED DOCUMENT.

DWN	T. SHUEY	6-16-98
CHK	G. SKIPPER	11-23-98
APPV	G. SKIPPER	11-23-98
PRODUCT SPEC	SHROUD, TYPE A, Z-PACK 2mm HM, 5 ROW, 154 POSITION, WITH GUIDE	
APPLICATION SPEC	-	
SIZE	A1	00779
WEIGHT	-	
CUSTOMER DRAWING	SCALE	5:1

AMP Incorporated  
 Harrisburg, PA 17105-3608

AMP  
 AMP INCORPORATED

SIZE: A1 00779 C-646478  
 SCALE: 5:1 SHEET: 1 OF 1 REV: C